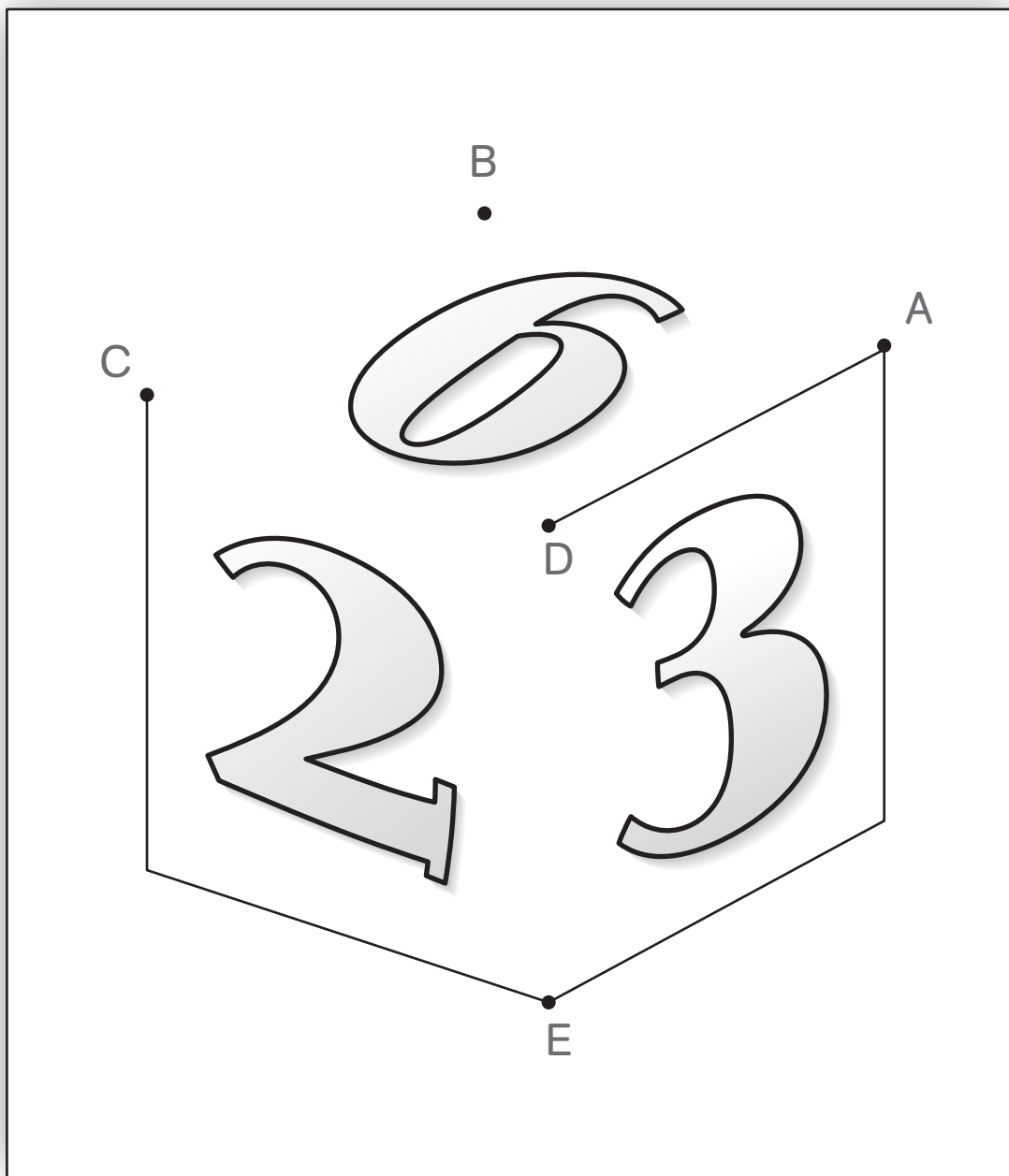


Date: _____

Roll It

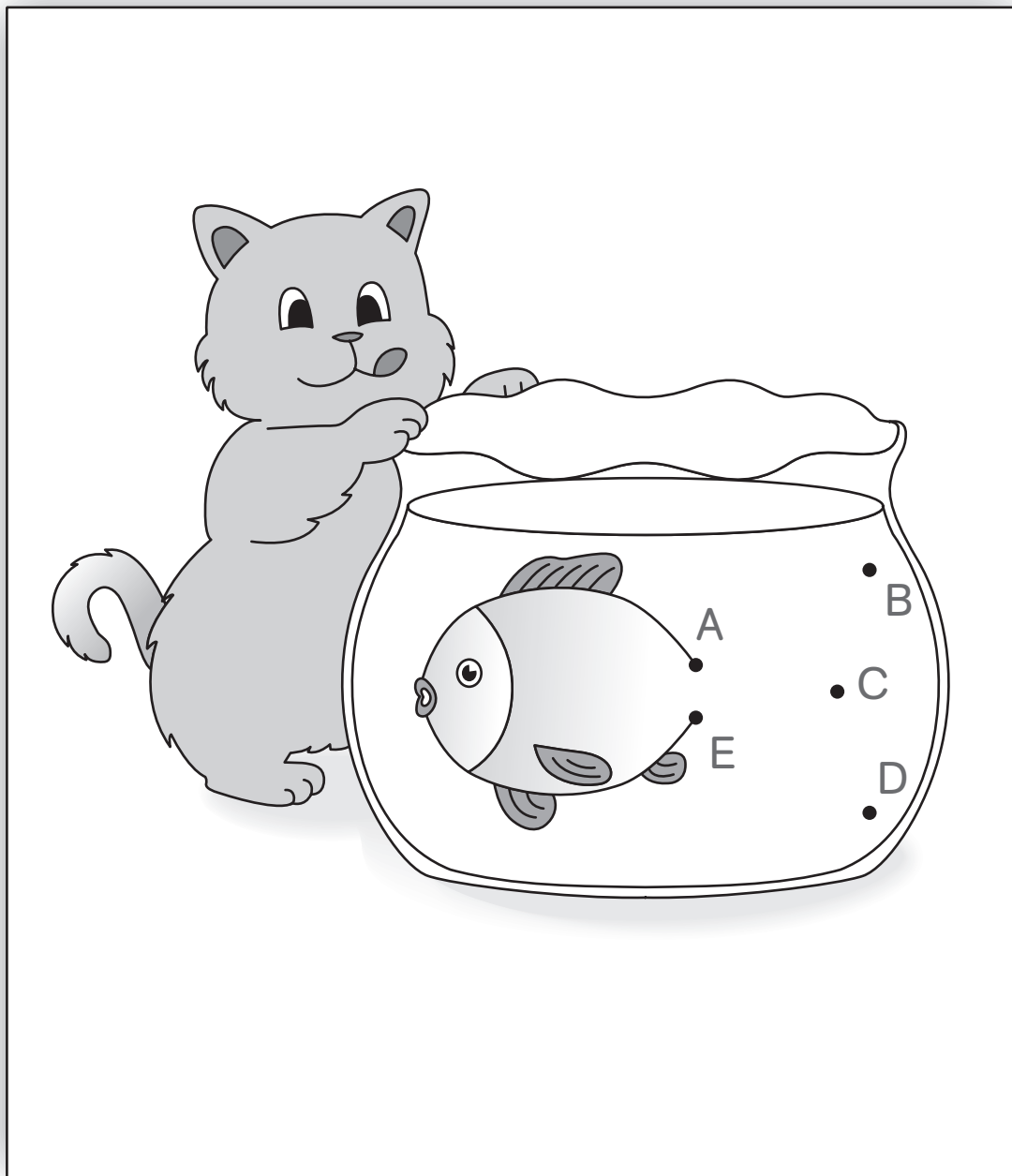
Isabel is playing with something. Connect the dots from **A to E** and color the picture.



Date: _____

A Fish without a Tail

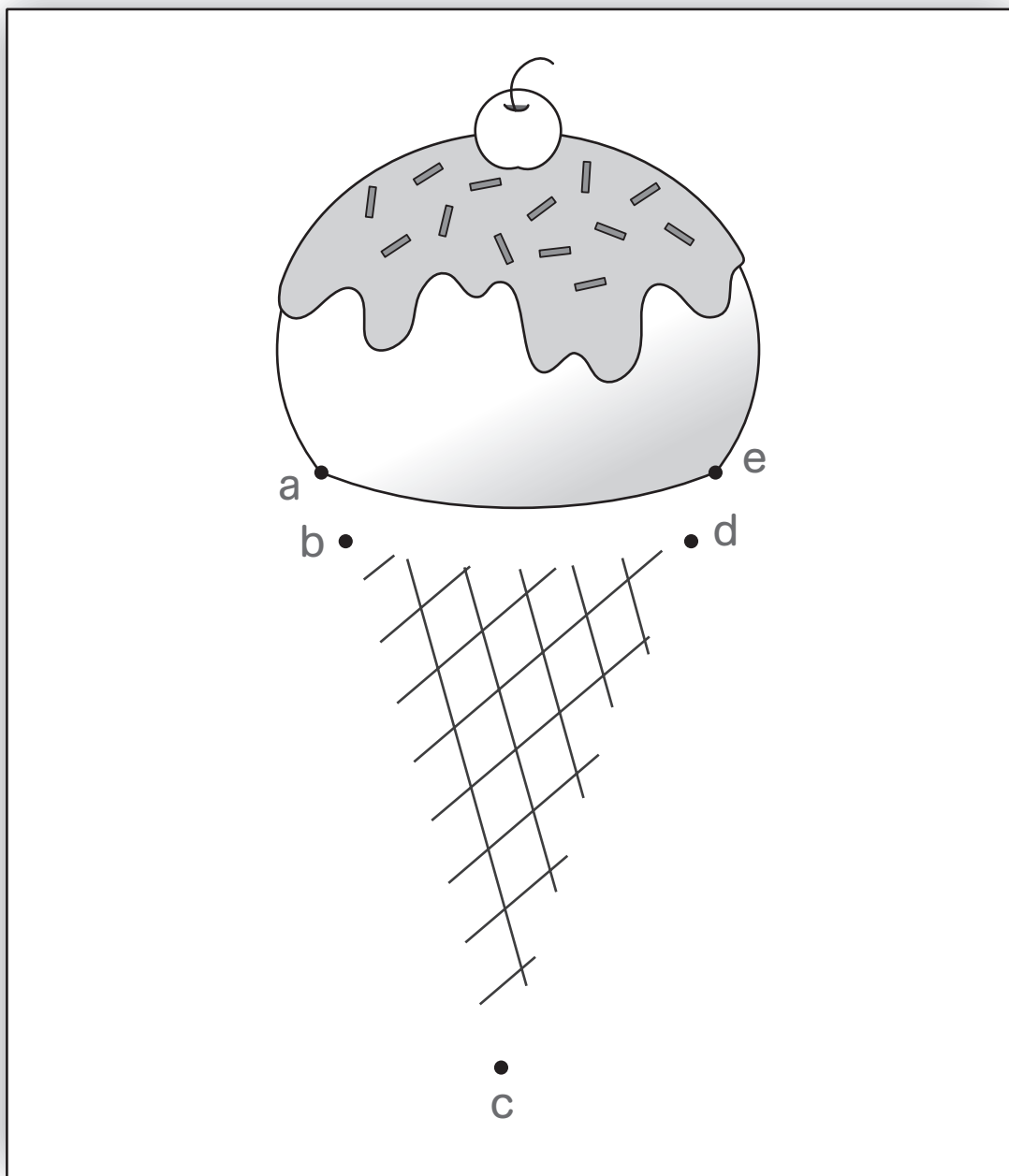
What is missing from the fish? Connect the dots from **A to E** and color the picture.



Date: _____

A Yummy Treat

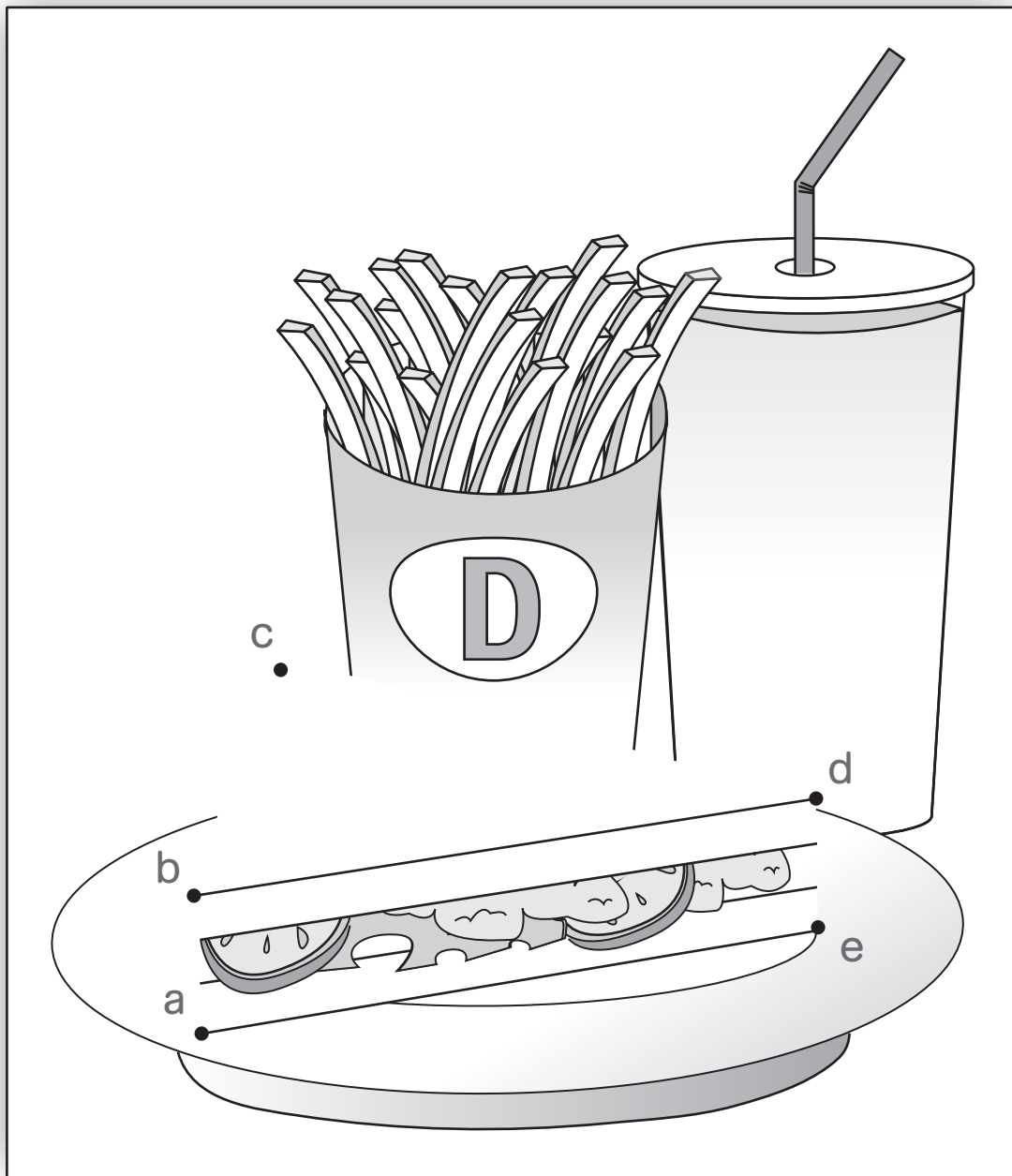
Naomi wants something yummy. Connect the dots from **a to e** and color the picture.



Date: _____

What's for Lunch?

Patrick has got something for lunch. Connect the dots from **a to e** and color the picture.



Date: _____

It's Sunny

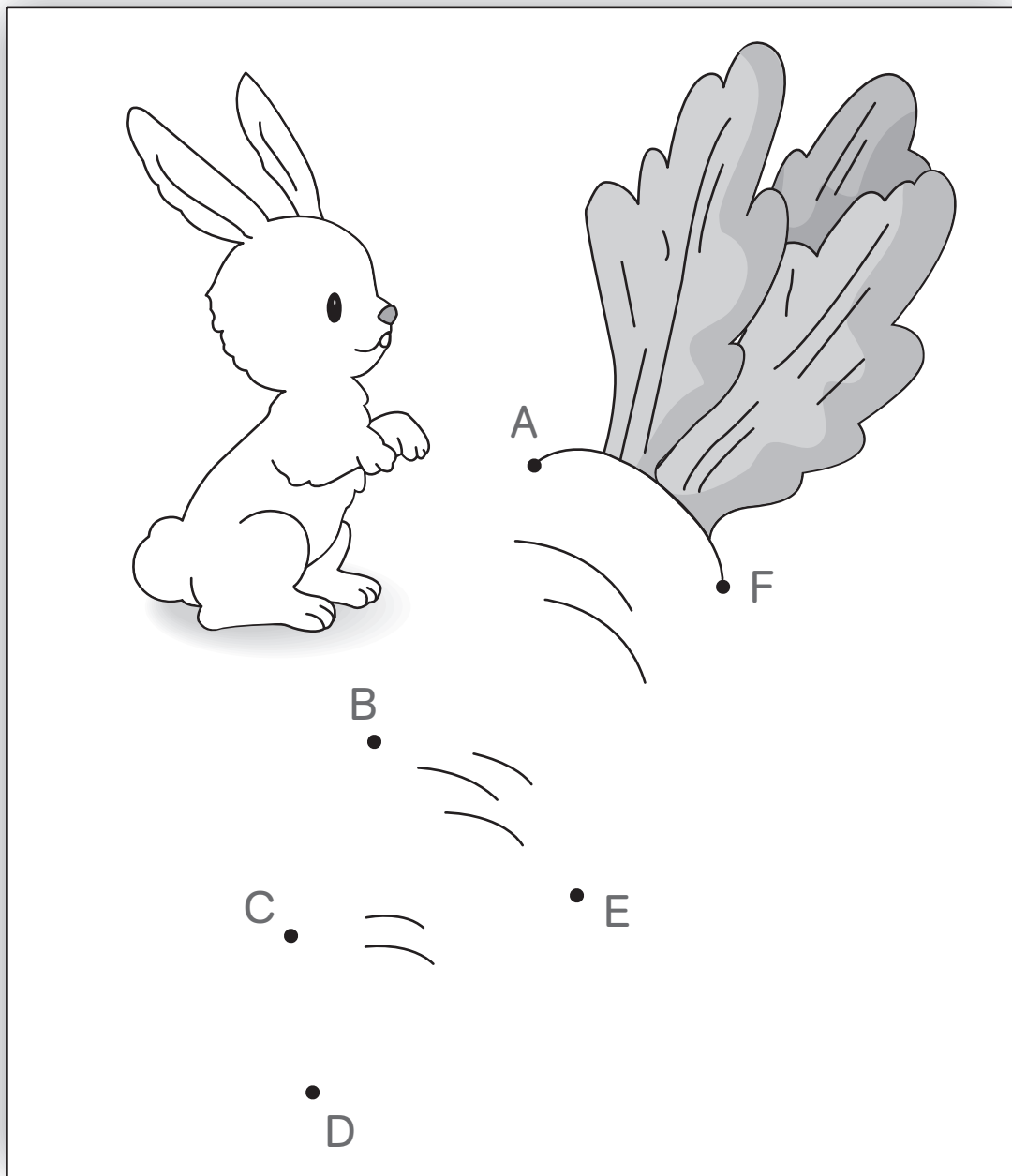
You wear it when you go out on a sunny day. Connect the dots from **A to F** and color the picture.



Date: _____

A Big Snack

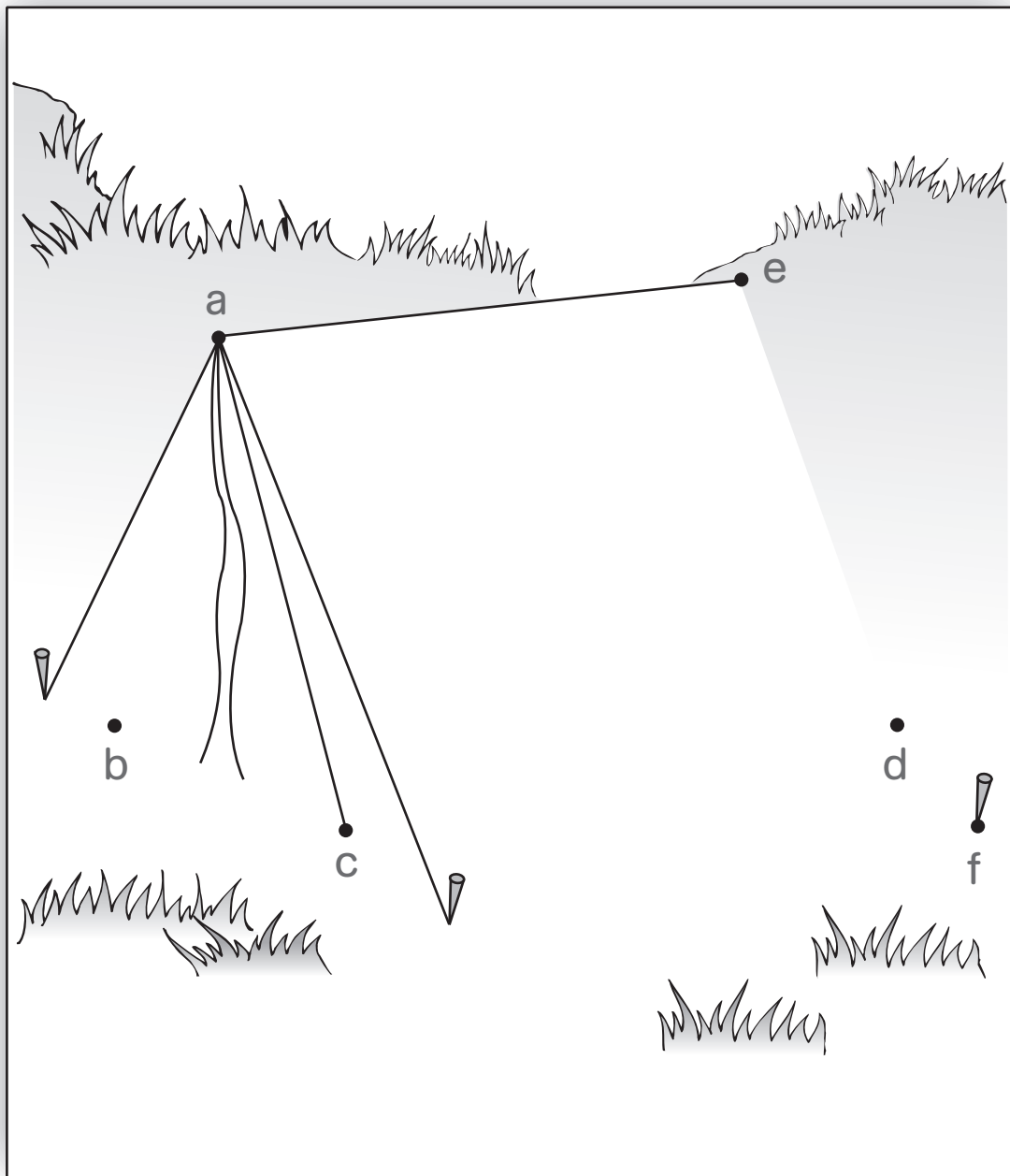
Bunny is looking for something to eat. Connect the dots from **A to F** and color the picture.



Date: _____

Camping Fun

Derek goes camping with his Mom and Dad. Connect the dots from **a to f** and color the picture.



Date: _____

A Big Dinner

Maurice the Mouse finds something big for dinner. Connect the dots from **a to f** and color the picture.

